



SPLIT TYPE

MULTIZONE

**Model:
KM42X60**



Pair with any two indoor units.
**Indoor unit photos are for reference only.*



Item	Unit	Parameter
AHRI number	\	215708445
Outdoor Model	\	KM42X60
Indoor Match	\	Non-Ducted
System Rating		
Cooling Capacity	Btu/h	36000
Heating Capacity	Btu/h	40000
Power Supply	\	208-230V/1Ph/60Hz
SEER2	\	21
EER2	\	13
HSPF2	\	10
Gas Pipe 1	inch (mm)	3/8 (9.52)
Liquid Pipe 1	inch (mm)	1/4 (6)
Gas Pipe 2	inch (mm)	3/8 (9.52)
Liquid Pipe 2	inch (mm)	1/4 (6)
Gas Pipe 3	inch (mm)	3/8 (9.52)
Liquid Pipe 3	inch (mm)	1/4 (6)
Gas Pipe 4	inch (mm)	3/8 (9.52)
Liquid Pipe 4	inch (mm)	1/4 (6)
Gas Pipe 5	inch (mm)	3/8 (9.52)
Liquid Pipe 5	inch (mm)	1/4 (6)
Connection Pipe MAX. Height Distance (Indoor/Indoor)	ft (M)	82 (25)
Connection Pipe MAX. Height Distance (Indoor UP/Outdoor)	ft (M)	82 (25)
Connection Pipe MAX. Height Distance (Indoor/Outdoor UP)	ft (M)	82 (25)
MAX. Equivalent Connection Pipe Length (Outdoor/Last Indoor)	ft (M)	82 (25)
Connection Pipe MAX. Length Distance (Total Length)	ft (M)	328.1 (100)
Connection Method	\	Screw Connection
No Additionnal Gas Connection Pipe Length	ft (M)	164 (50)
Connection Pipe Length Additional Charge	oz/ft.	0.2
Refrigerant Type	\	R32
Refrigerant Charge	oz	95.25

Job Name:

Schedule Reference:

Date:



SPLIT TYPE

MULTIZONE

**Model:
KM42X60**



Outdoor Unit Data		
Sound Pressure Level	dB(A)	63
Min/Max Voltage	V	187-253
MCA	A	30
MOP	A	45
Dimension (HxWxD)	inch (mm)	32 33/64 x 40 5/32 x 16 13/16 (826 x 1020 x 427)
Dimension Package (HxWxD)	inch (mm)	34 54/64 x 43 2/64 x 19 36/64 (885 x 1093 x 497)
Net Weight	lb (Kg)	174 (79)
Gross Weight	lb (Kg)	189.6 (86)
Operating Temperature for Cooling	°F/°C	-22~118 (-30~48)
Operating Temperature for Heating	°F/°C	-22~75.2 (-30~24)

- Indoor units powered by Outdoor unit
- Small footprint design
- G-10 inverter technology
- Self-diagnosis
- Quiet operation
- Multiple Indoor unit configuration
- Swing louver control
- Intelligent Defrosting
- Blue Fin Colored 500 Hrs Salt Spray Tested
- A2L Refrigerant sensor included



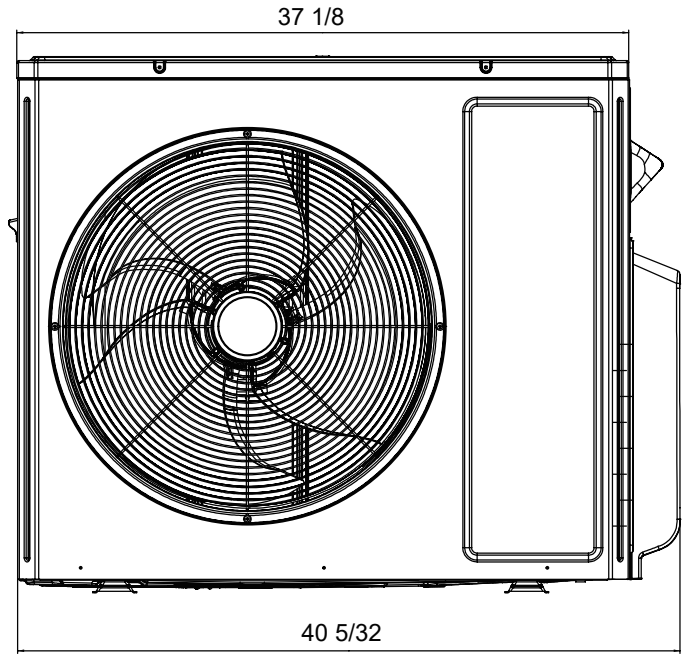
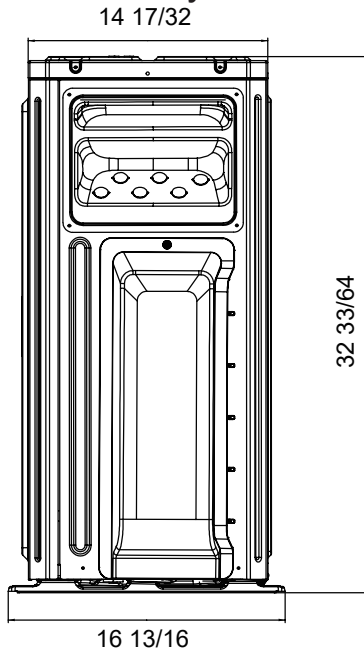
Job Name:

Schedule Reference:

Date:



Outline and Physical Dimensions



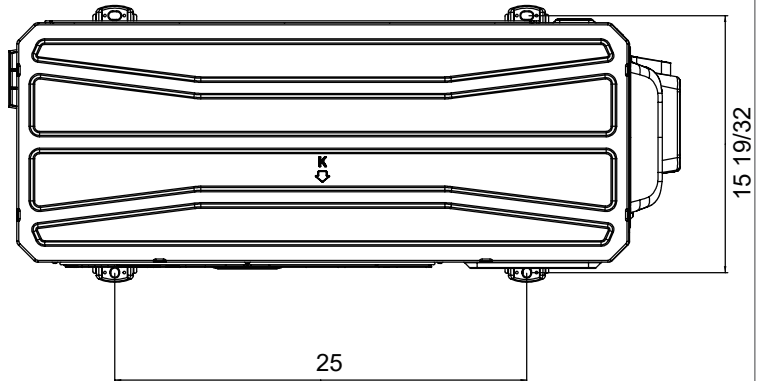
Liquid Line Valve 1	1/4-in OD Flared
Gas Line Valve 1	3/8-in OD Flared

Liquid Line Valve 2	1/4-in OD Flared
Gas Line Valve 2	3/8-in OD Flared

Liquid Line Valve 3	1/4-in OD Flared
Gas Line Valve 3	3/8-in OD Flared

Liquid Line Valve 4	1/4-in OD Flared
Gas Line Valve 4	3/8-in OD Flared

Liquid Line Valve 5	1/4-in OD Flared
Gas Line Valve 5	3/8-in OD Flared



Dimensions Inch (mm)	18K	24K	30K-36K-42K
H	21 21/32 (550)	25 63/64 (660)	32 33/64 (826)
W	32 23/64 (822)	37 61/64 (964)	40 5/32 (1020)
D	13 55/64 (352)	15 53/64 (402)	16 13/16 (427)

