



# WK-010

This controller suitable for:

- **Ultranixx**  
**Ultranixx Eco**

### Smart control :

- Advanced algorithms make smart switch between heat pump and gas furnace, to utilize the more efficient heat source

### 7" Color Touchscreen Display



### Multi functions :

- ERV  
Humidity  
Dehumidity

### Key strengths :

- WiFi control with Kinghome app
- Master thermostat installed at indoor unit allows faster and simpler installation and commissioning
- Homeowner use color touchscreen display to easily control the system.  
(Master thermostat can also control the system)
- Easy wiring : typically, older home thermostats used only four wires and upgrading to a new thermostat required more wires to be added to connect a thermostat, no wiring extender needed.  
Only four wires needed between two thermostat

### Master Thermostat



Note: All 24volts furnace or air handler are compatible with the WK-010 using standard algorithm

Job Name:

Schedule Reference:

Date:

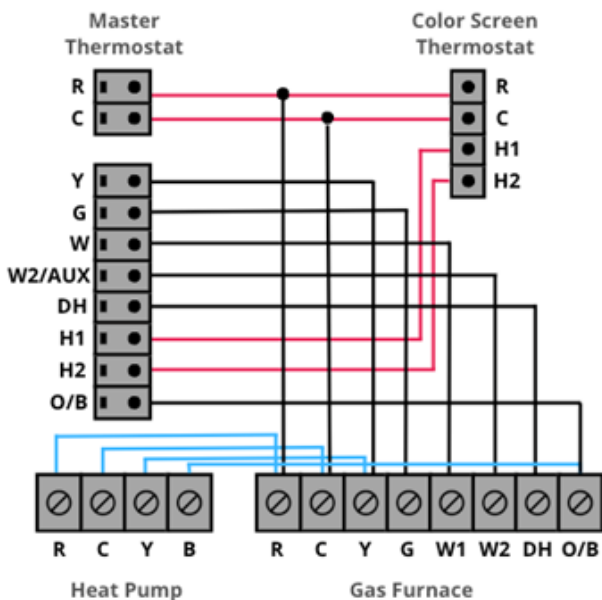
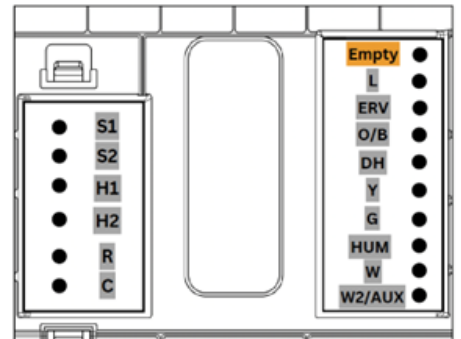
Specification are subject to change without notice.

# WK-010

No.	Terminal	Instruction
1	L	System refrigerant leaking signal input (For R32 & R454B)
2	O/B	4-way valve is energized in cooling(O)/ heating(B)
3	DH	Dehumidify signal
4	Y	Outdoor compressor gear
5	G	Indoor fan
6	HUM	Humidify signal
7	W	Heating device (1 stage)
8	W2/AUX	Heating device (2 stage) or electric heating
9	C	24V Common wire
10	R	24V Power supply
11	H1/H2	RS485 communication
12	S1\S2	Extended temperature sensor interface for detecting outdoor ambient temperature.
13	ERV	ERV signal

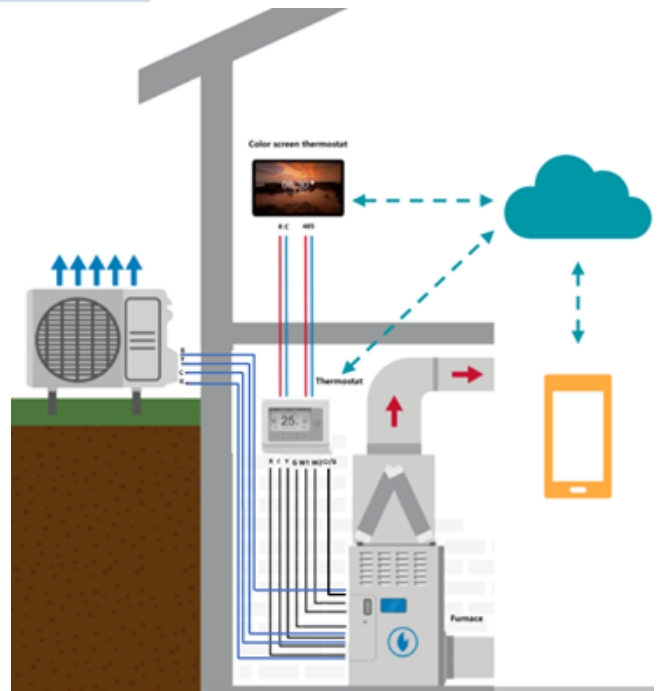
## Master Thermostat

### Terminals



Note: Energization type of 4-way valve:

- "O" is applicable for the unit which operates under the cooling mode and its 4-way valve is energized;
- "B" is applicable for the unit which operates under the heating mode and its 4-way valve is energized.
- S1/S2 : Optional outdoor sensor (15kohms)

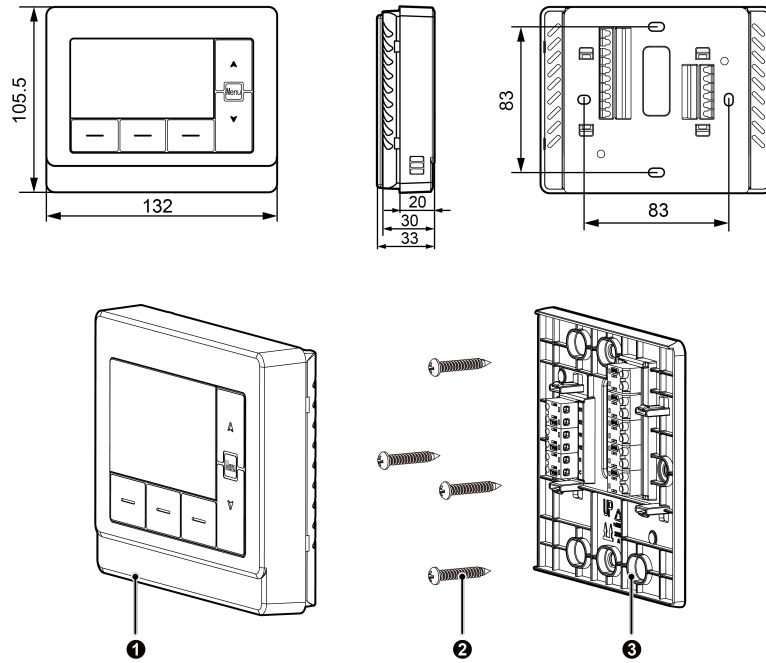


Job Name:

Schedule Reference:

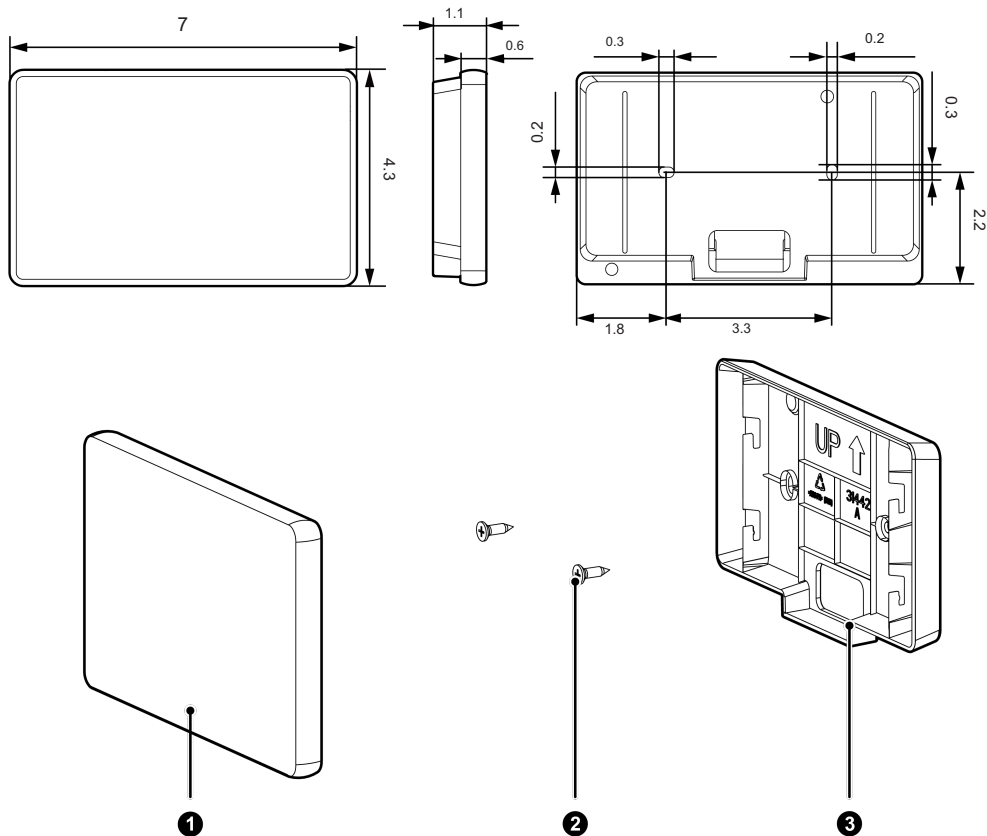
Date:

## Dimension and Components of Thermostat WK-010C1



## Dimension and Components of Thermostat WK-010D1

Unit: mm



No.	①	②	③
Name	Touch screen of thermostat	Tapping screw (for fixing the rear cover of thermostat on the wall)	Rear cover of thermostat
Quantity	1 piece	2 pieces	1 piece