



Outdoor Model: KD42UHO

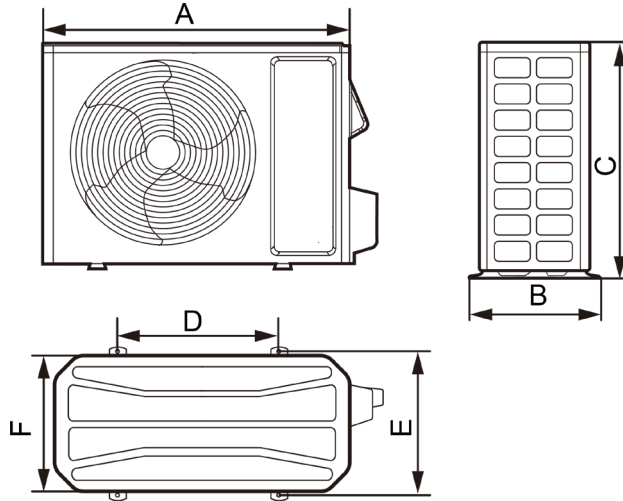


Indoor Model: KD42UHI



Item	Unit	Parameter
AHRI number	\	211497148
Outdoor Model	\	KD42UHO
Indoor Model	\	KD42UHI
System Rating		
Cooling Capacity	Btu/h	40000
Heating Capacity	Btu/h	40000
Power Supply	\	208-230V/1Ph/60Hz
SEER2	\	15.5
EER2	\	10
HSPF2	\	7.8
Gas Pipe	inch (mm)	3/4 (19)
Liquid Pipe	inch (mm)	3/8 (9.52)
Standard Pipe Length	ft (M)	24.6 (7.5)
MAX. refrigerant pipe length between Indoor and Outdoor	ft (M)	164 (50)
MAX. Vertical Height difference between Indoor and Outdoor	ft (M)	98.4 (30)
Connection Method	\	Screw Connection & Solder Connection
Refrigerant Type	\	R410A
Outdoor Unit Data		
Sound Pressure Level	dB(A)	62
Min/Max Voltage	V	187-253
Control Voltage	V	24
Rated Current Cooling	A	22
Rated Current Heating	A	20.8
MCA	A	26.5
MOP	A	40
Dimension (HxWxD)	inch (mm)	32 1/2 x 37 1/8 x 14 9/16 (826 x 943 x 370)
Net Weight	lb (Kg)	152.1 (69)
Gross Weight	lb (Kg)	163.1 (74)
Operating Temperature for Cooling	°F/°C	5~118.4 (-15~48)
Operating Temperature for Heating	°F/°C	5~75.2 (-15~75.2)
Indoor Unit Data		
Air Flow Volume	CFM (m ³ /h)	1230 (2091)
ESP	in.w.g (Pa)	0.0~1.0 (0~250)
Sound Pressure Level	dB(A)	53
Supplemental Electric Heat (Optional)	KW	(5) (8) (10)
Dehumidification	pt/hr	8.88
Min/Max Voltage	V	187-253
Control Voltage	V	24
Rated Current Cooling	A	1.81
Rated Current Heating	A	1.81
MCA	A	3.4
MOP	A	15
MOP / Electric Heater	A	(30) (45) (60) 208-240V
Dimension (HxWxD)	inch (mm)	48 3/16 x 21 1/4 x 21 1/4 (1224 x 540 x 540)
Net Weight	lb (Kg)	154.3 (70)
Gross Weight	lb (Kg)	167.6 (76)
Operating Temperature for Cooling	°F/°C	64.4~80.6 (18~27)
Operating Temperature for Heating	°F/°C	68.0~80.6 (20~27)

Specification are subject to change without notice. Picture for reference only.



Unit: inch(mm)

Dimensions	A	B	C	D	E	F
Model						
KD24UHO	35 (889)	15-13/16 (402)	25-7/8 (658)	22-7/16 (570)	14-9/16 (370)	13-3/8 (340)
KD30UHO	36-5/16 (923)	16-13/16 (427)	29-3/8 (746)	24 (610)	15-9/16 (396)	14-9/16 (370)
KD36UHO						
KD42UHO	37-1/8 (943)	16-13/16 (427)	32-1/2 (826)	25 (635)	15-9/16 (396)	14-9/16 (370)
KD48UHO						
KD60UHO	39 (990)	16-13/16 (427)	37-13/16 (960)	29-3/4 (755)	15-9/16 (396)	14-9/16 (370)

NOTE: The indoor unit models that can be matched with the outdoor unit can be found on the AHRI website.

Unit: inch(mm)

Model	Dimension				
	W	D	H	A	B
KD24UHI	18-1/8	21-1/4	43-1/2	11-5/8	16-3/4
KD30UHI	(460)	(540)	(1105)	(295)	(426)
KD36UHI	21-1/4	21-1/4	48-3/16	11-5/8	20
KD42UHI	(540)	(540)	(1224)	(295)	(508)
KD48UHI	24-13/16	21-1/4	52	11-5/8	20
KD60UHI	(630)	(540)	(1320)	(295)	(508)

