

Kinghome Heat pump Start up Sheet

Installation Date : _____

Address : _____

City/Province : _____

Outdoor Unit : _____

Serial # _____

Air Handler : _____

Serial # _____

Gas Furnace : _____

Serial # _____

Cased Coil : _____

Serial # _____

Ducted Heater : _____

Serial # _____

Thermostat : _____

Serial # _____

Outdoor Unit
Voltage L1-L2 :

Wire AWG:

Disconnect : Yes
 No

Indoor Unit
Voltage L1-L2 (N) :

Wire AWG:

Piping length/elevation :

Isolated both line : Yes
 No

Refrigerant : R-410A
 R-32
 R-454B



UltraniXX

Cooling mode

Leaving Temp
DB:
WB:

Return Temp
DB:
WB:

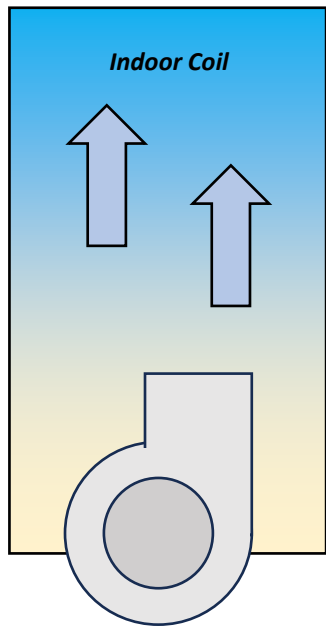
Supply ESP :
Return ESP :
Total ESP :
Blower Speed :
CFM :

PSI

PSI

Vapor line temp :
Sat temp :
Superheat :

Sat temp :
Liquid line temp :
Subcool :



TXV

EXV #2

One way Valve

EXV #1

Gas-Liquid Separator

Pressure Transducer

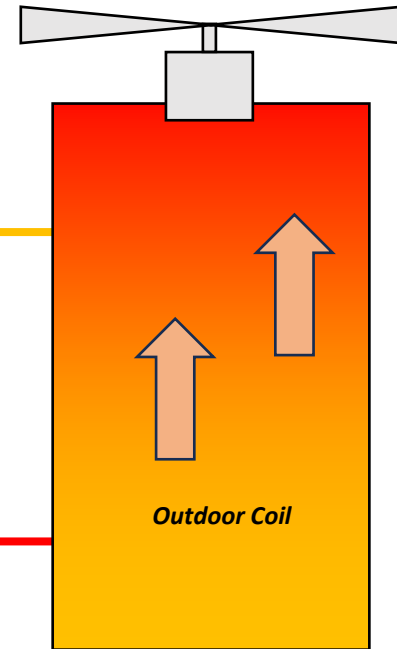
Solenoid Valve

4-way Valve

External tube Temp :

Outdoor Ambient Temp :

Discharge Temp :



Compressor



NOTE : Outdoor ambient temperature above 80F for cooling mode is recommended.

Ultranixx

Heating mode



Leaving Temp
DB:
WB:

Return Temp
DB:
WB:

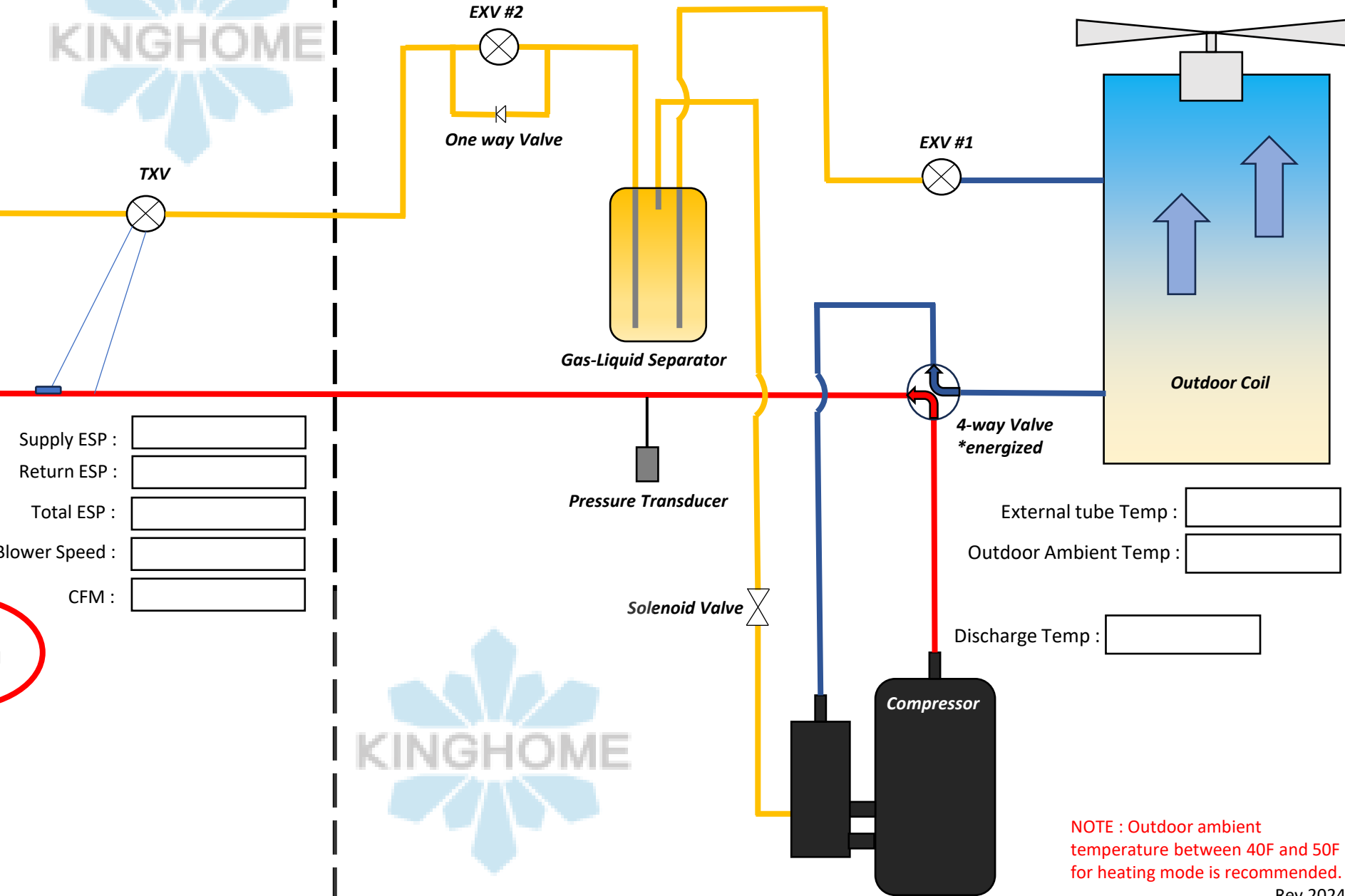
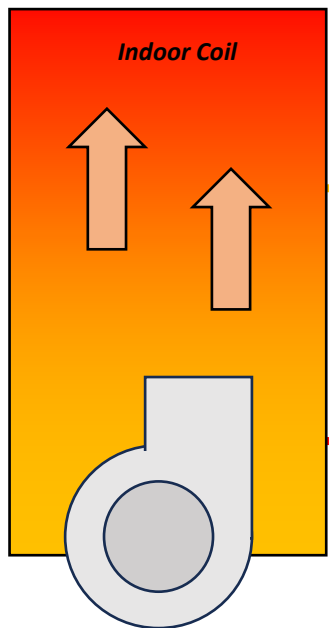
Supply ESP :
Return ESP :
Total ESP :
Blower Speed :
CFM :

PSI

PSI

Vapor line temp :
Sat temp :
Superheat :

Sat temp :
Liquid line temp :
Subcool :



NOTE : Outdoor ambient temperature between 40F and 50F for heating mode is recommended.

Ultrnixx ECO

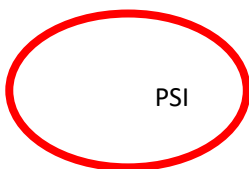
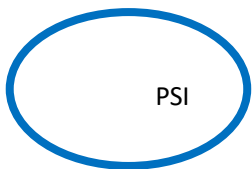
Cooling mode



Leaving Temp
DB:
WB:

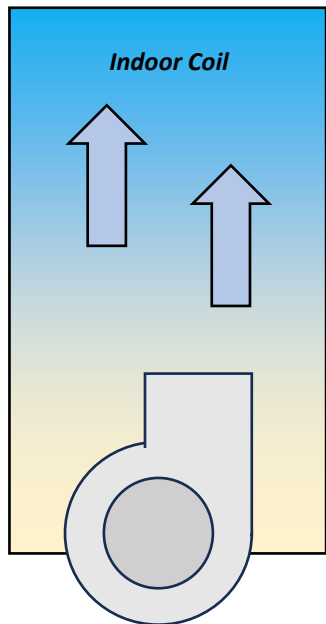
Return Temp
DB:
WB:

Supply ESP :
Return ESP :
Total ESP :
Blower Speed :
CFM :



Vapor line temp :
Sat temp :
Superheat :

Sat temp :
Liquid line temp :
Subcool :



TXV

Refrigerant Cooling
(42k,48k,60k only)

EXV #2

One way Valve

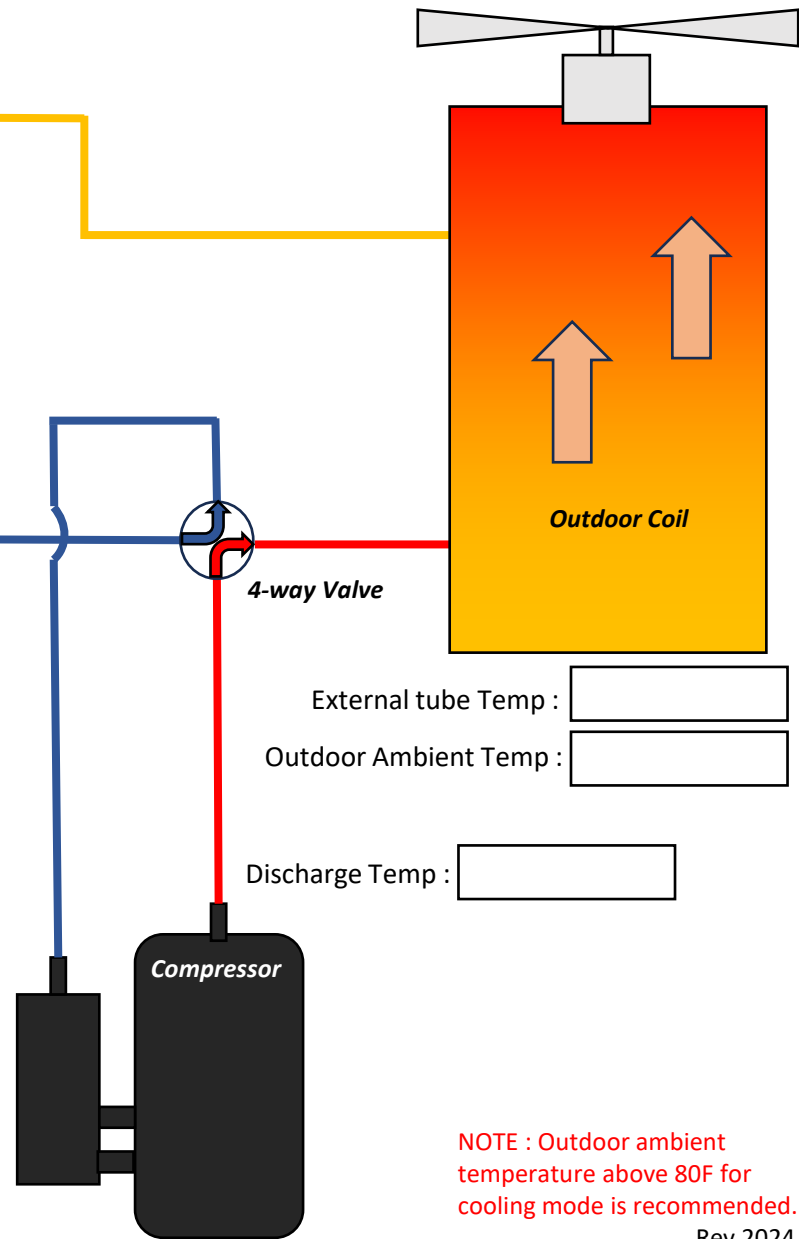
Pressure Transducer

4-way Valve

Outdoor Coil

External tube Temp :
Outdoor Ambient Temp :
Discharge Temp :

NOTE : Outdoor ambient temperature above 80F for cooling mode is recommended.



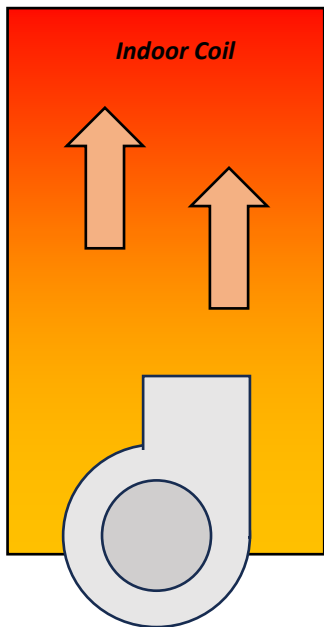
Ultranixx ECO

Heating mode

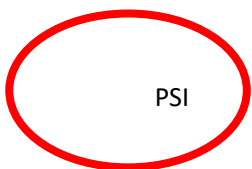
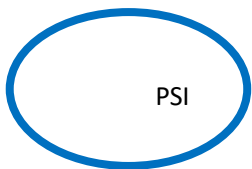


Leaving Temp
DB:
WB:

Return Temp
DB:
WB:



Supply ESP :
Return ESP :
Total ESP :
Blower Speed :
CFM :



Vapor line temp :
Sat temp :
Superheat :

Sat temp :
Liquid line temp :
Subcool :

TXV

Refrigerant Cooling
(42k,48k,60k only)

EXV #2

One way Valve

Pressure Transducer

4-way Valve
*energized

Outdoor Coil

External tube Temp :
Outdoor Ambient Temp :
Discharge Temp :

Compressor



NOTE : Outdoor ambient temperature between 40F and 50F for heating mode is recommended.