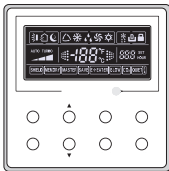




MULTI

24,000 BTUH Multi-zone Ducted

**Model:
KM24HFDI**



Include XK19

Item	Unit	Specification
Model	—	KM24HFDI
System and Electrical Ratings		
Rated Cooling Capacity	Btu/h	23800
Rated Heating Capacity	Btu/h	27400
Sound Pressure (High/Low)	dB(A)	42/34
Air Flow (Min/Max)	CFM	324/588
Dehumidifying volume	Pint/h	5.28
Normal Operational Voltage	—	208-230 V, 1 Ph, 60 Hz
Rated Frequency	Hz	60
Voltage range	V	187-253
Motor FLA	A	0.588
Unit and Pipe Data		
Interconnecting Cable Wire Size	AWG	AWG14/4
Unit Dimensions (W×H×D)	mm	1100x200x615
	Inch	43 5/16 x 7 7/8 x 24 3/16
Weight (Net/Shipping)	lbs	68.3/90.4
Drain Size (OD)	mm	26
	Inch	1
Refrigerant Type	—	R410A
Gas Pipe Size (OD)	Inch (MM)	5/8 (15.9)
Liquid Pipe Size (OD)	Inch (MM)	3/8 (9.52)
Connection Method	—	Flared

Job Name:

Schedule Reference:

Date:

Specification are subject to change without notice.

Outline and Physical Dimensions of KM24HFDI.

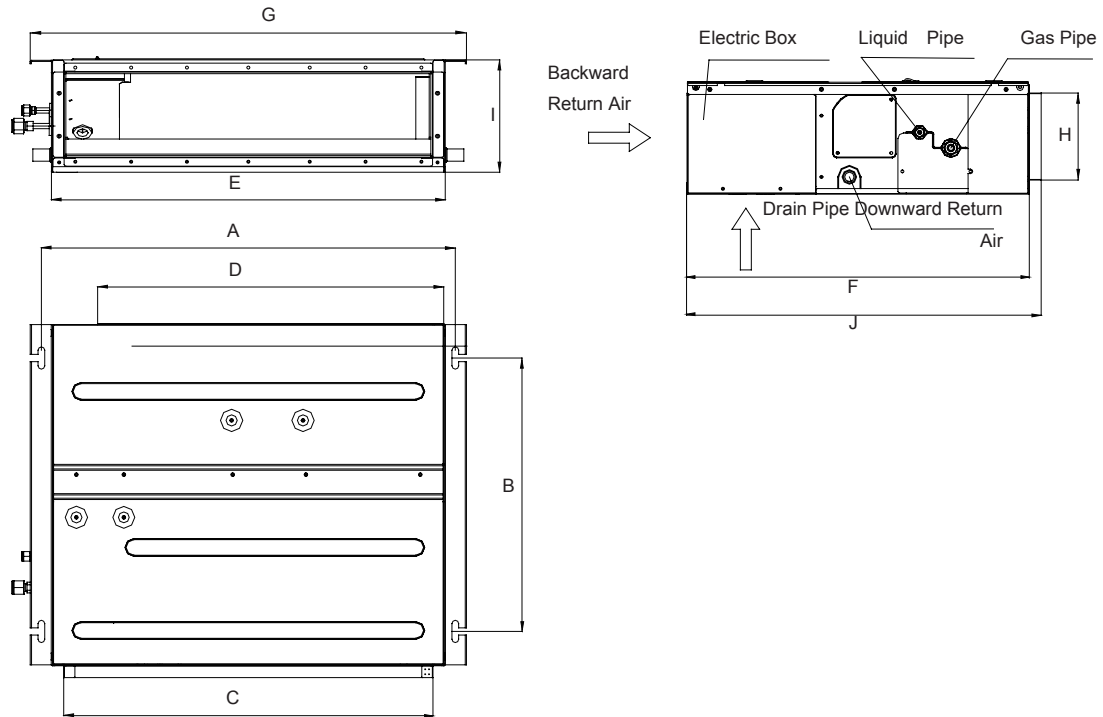


Fig.1

Table 1: Outline Dimensions (unit:mm)

Model \ Item	A	B	C	D	E	F	G	H	I	J
KM07HFDI	742	491	662	620	700	615	782	156	200	635
KM09HFDI										
KM12HFDI										
KM18HFDI	942	491	862	820	900	615	982	156	200	635
KM21HFDI	1142	491	1062	1020	1100	615	1182	156	200	635
KM24HFDI										

