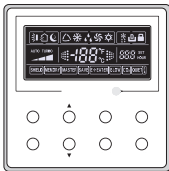




MULTI

9,000 BTUH Multi-zone Ducted

**Model:
KM09HFDI**



Include XK19

Item	Unit	Specification
Model	—	KM09HFDI
System and Electrical Ratings		
Rated Cooling Capacity	Btu/h	8500
Rated Heating Capacity	Btu/h	9500
Sound Pressure (High/Low)	dB(A)	37/31
Air Flow (Min/Max)	CFM	147/265
Dehumidifying volume	Pint/h	1.69
Normal Operational Voltage	—	208-230 V, 1 Ph, 60 Hz
Rated Frequency	Hz	60
Voltage range	V	187-253
Motor FLA	A	0.406
Unit and Pipe Data		
Interconnecting Cable Wire Size	AWG	AWG14/4
Unit Dimensions (W×H×D)	mm	700x200x615
	Inch	27 9/16 x 7 7/8 x 24 3/16
Weight (Net/Shipping)	lbs	48.5/59.5
Drain Size (OD)	mm	26
	Inch	1
Refrigerant Type	—	R410A
Gas Pipe Size (OD)	Inch (MM)	3/8 (9,52)
Liquid Pipe Size (OD)	Inch (MM)	1/4 (6)
Connection Method	—	Flared

Job Name:

Schedule Reference:

Date:

Specification are subject to change without notice.

Outline and Physical Dimensions of KM09HFDI.

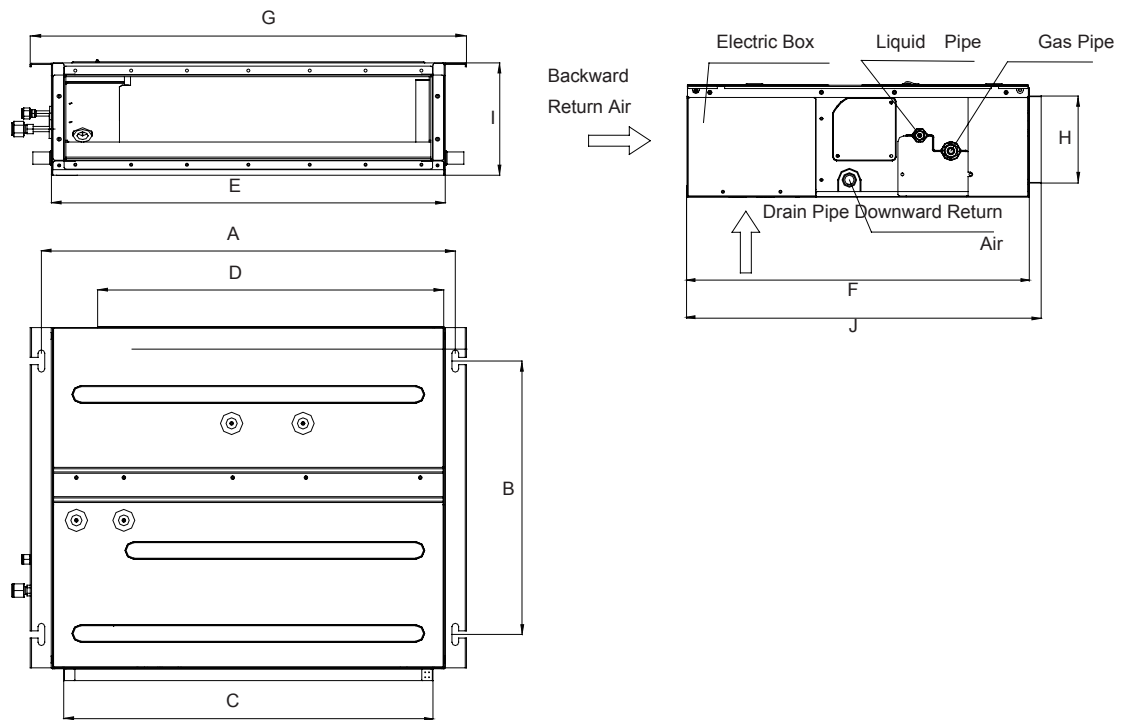


Fig.1

Table 1: Outline Dimensions (unit:mm)

Model \ Item	A	B	C	D	E	F	G	H	I	J
KM07HFDI	742	491	662	620	700	615	782	156	200	635
KM09HFDI										
KM12HFDI										
KM18HFDI	942	491	862	820	900	615	982	156	200	635
KM21HFDI	1142	491	1062	1020	1100	615	1182	156	200	635
KM24HFDI										

