





SUBMITTAL DATA FOR KINGHOME HEAT PUMP AND INDOOR COIL

OUTDOOR HEAT PUMP MODEL: KU60UHO
 INDOOR COIL MODEL: KCA60* I
 HRAI Certificate #: 212361364

Job Name	Location	Date
Purchaser	Engineer	
Submitted To	For	
Unit Designation	Schedule No.	

KCA60* I	KU60UHO
	
GENERAL FEATURES	

- High Efficiency DC Inverter Technology**
- Compact and Quiet – As low as 56 dB(A) Sound Rating**
- Side Discharge Outdoor, Unit Zero Lot Line Design**
- Universal match to Furnaces & Indoor Air Handlers**
- Designed for New Construction or Replacement Market**
- 24VAC Thermostat Compatible**
- Low Ambient Cooling down to 5°F**
- Low Ambient Heating down to -22°F**
- Acrylic Resin/Anti-Corrosion Fin Coating (Blue - 500 Hr Salt Spray Rating)**
- 10 Year Limited Compressor & Parts Warranty (Residential Only)**

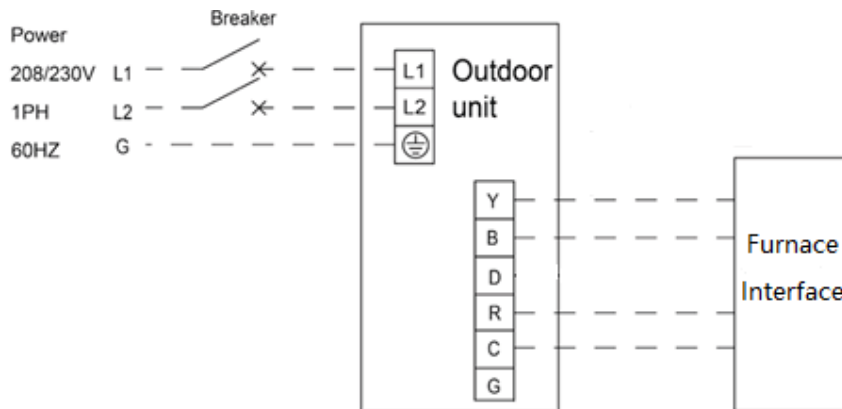


SPECIFICATIONS			KCA60* I/KU60UHO
System Type	HEAT PUMP		
SYSTEM PERFORMANCE			
Cooling	Rated capacity @ 95 °F	BTU/h	53000
	Min-Max Capacity	BTU/h	15200-54000
Heating	Rated capacity @ 47 °F	BTU/h	53000
	Rated capacity @ 17 °F	BTU/h	35200
	Min-Max capacity	BTU/h	15000-54000
SEER2/EER2			15.2/9.5
HSPF2 (Region IV)/COP			8.5/2.79
Cooling temperature range		°F	5~129
Heating temperature range		°F	-22~75
INDOOR UNIT			KCA60*I
Unit dimension (W×H×D)		inch	24-1/2×28-1/2×21-1/4
Refrigerant charged-R410A		lbs	0.55
Weight		lbs	95
OUTDOOR UNIT			KU 60UHO
Compressor Type			Inverter Rotary
Compressor RLA		amps	19
Fan motor output power		W	149
Fan motor		amps	1.5
Sound pressure level (cooling/heating)		dB(A)	58
Unit dimension (W×H×D)		inch	39-3/8×53-5/8×14-1/2
Refrigerant charged-R410A		lbs	13.8
Weight		lbs	308
REFRIGERANT PIPING			
Line set size (liquid -gas)		inch	3/8 – 3/4
Pre-charge length		ft	31
Additional charge		Oz/ft	0.36
Max. pipe length		ft	98.4
Max. pipe elevation		ft	49.2
ELECTRICAL			
Power supply			208-230V/1Ph/60Hz
Outdoor unit	Rated current (Cooling/Heating)	amps	30/31
	MCA/MOCP	amps	35/45
LIMITED WARRANTY			10 years parts and compressor-residential



FEATURES SUMMARY	
Compressor	Inverter
Ultra Low Frequency Torque Control	YES
Power Factor Correction	YES
Compressor Type	Rotary
Refrigerant Type	R410A
Outdoor Electronic Expansion Valve	YES
Basepan with Electric Heater	YES
Compressor with Electric Heater	YES
Fin Coating	Acrylic Resin
Intelligent Defrosting	YES
Intelligent Preheating	YES
Low Voltage Startup	YES
Memory/Power Failure Recovery	YES
Self Diagnosis	YES
Low Ambient Cooling	YES
24VAC Thermostat Compatible	YES

ELECTRICAL WIRING

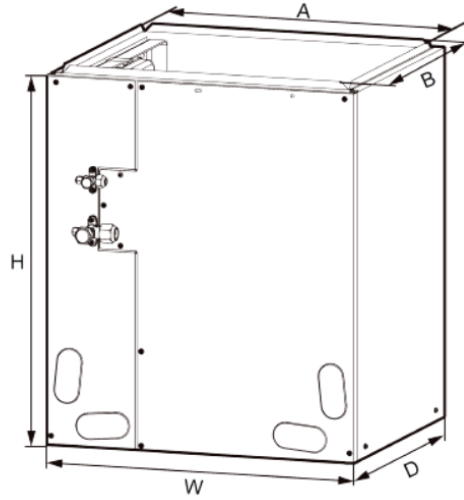


- Y – Compressor Control
- B – Reversing Valve (4-way Valve) Control – Energized in Heating when used as a heat pump
- R – 24V AC power Supply
- C – 24V Common

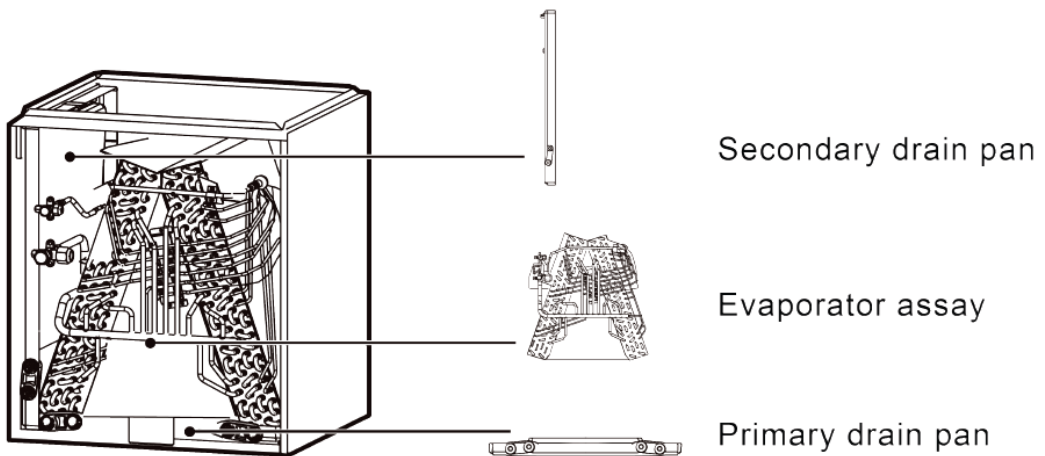


Dimensions

KCA60* I

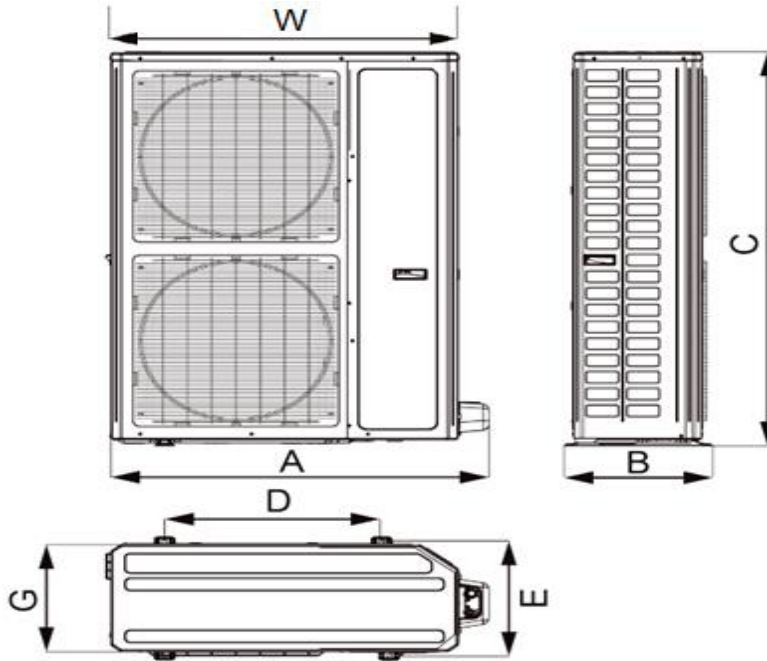


Model	Dimension					Unit: inch
	W	D	H	A	B	
KCA60* I	24-1/2	21-1/4	28-1/4	22-7/8	19-3/8	



DIMENSIONS

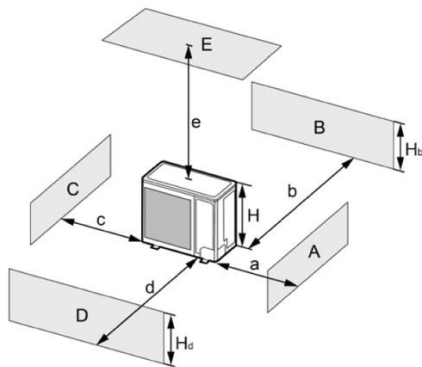
KU60UHO



Model	Dimensions						Unit: inch
	A	B	C	D	E	G	W
KU60UHO	42-3/4	16-7/8	53-5/8	24-3/8	15-5/8	14-1/2	39-3/8

Clearance Requirement

Clearance Requirement



A~E	H _b	H _d	H	(mm)				
				a	b	c	d	e
B	—	—	—	-	≥100	-	-	-
A,B,C,	—	—	—	≥300	≥100	≥100	-	-
B,E	—	—	—	-	≥100	-	-	≥1000
A,B,C,E	—	—	—	≥300	≥150	≥150	-	≥1000
D	—	—	—	-	-	-	≥1000	-
D,E	—	—	—	-	-	-	≥1000	≥1000
B,D	H _b < H _d	H _d > H	-	≥100	-	-	≥1000	-
	H _b > H _d	H _d < H	-	≥100	-	-	≥1000	-
B,D,E	H _b < H _d	H _b ≤ 1/2H	-	≥250	-	-	≥2000	≥1000
		1/2H < H _b ≤ H	-	≥250	-	-	≥2000	≥1000
	H _b > H	Prohibited						
	H _b > H _d	H _d ≤ 1/2H	-	≥100	-	-	≥2000	≥1000
		1/2H < H _d ≤ H	-	≥200	-	-	≥2000	≥1000
	H _d > H	Prohibited						