





SUBMITTAL DATA FOR KINGHOME HEAT PUMP AND INDOOR COIL

OUTDOOR HEAT PUMP MODEL: KU36UHO
 INDOOR COIL MODEL: KCA36* I
 HRAI Certificate #: 212361362

Job Name	Location	Date
Purchaser	Engineer	
Submitted To	For	
Unit Designation	Schedule No.	

KCA36* I	KU36UHO
	
GENERAL FEATURES	

- High Efficiency DC Inverter Technology**
- Compact and Quiet – As low as 56 dB(A) Sound Rating**
- Side Discharge Outdoor, Unit Zero Lot Line Design**
- Universal match to Furnaces & Indoor Air Handlers**
- Designed for New Construction or Replacement Market**
- 24VAC Thermostat Compatible**
- Low Ambient Cooling down to 5°F**
- Low Ambient Heating down to -22°F**
- Acrylic Resin/Anti-Corrosion Fin Coating (Blue - 500 Hr Salt Spray Rating)**
- 10 Year Limited Compressor & Parts Warranty (Residential Only)**



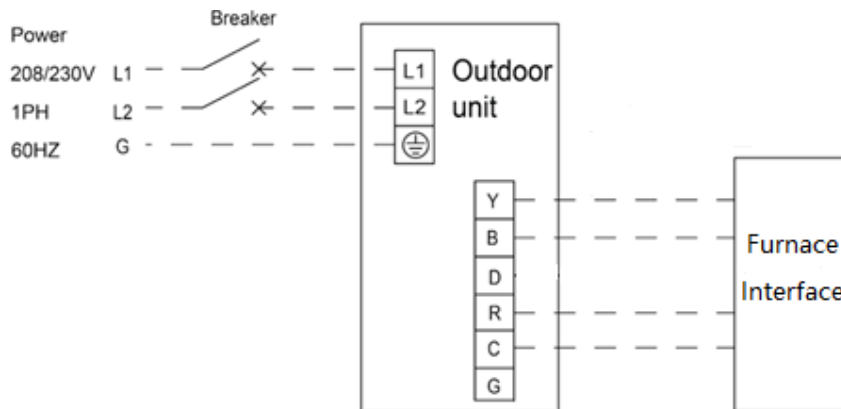
SPECIFICATIONS			KCA36* I/KU36UHO
System Type	HEAT PUMP		
SYSTEM PERFORMANCE			
Cooling	Rated capacity @ 95 °F	BTU/h	34000
	Min-Max Capacity	BTU/h	10600-34600
Heating	Rated capacity @ 47 °F	BTU/h	34000
	Rated capacity @ 17 °F	BTU/h	22000
	Min-Max capacity	BTU/h	9600-34600
SEER2/EER2			15.2/9.5
HSPF2 (Region IV)/COP			8.5/2.79
Cooling temperature range	°F	5~129	
Heating temperature range	°F	-22~75	
INDOOR UNIT			KCA36*I
Unit dimension (W×H×D)	inch	17-1/2×23×21-1/4	
Refrigerant charged-R410A	lbs	0.55	
Weight	lbs	64	
OUTDOOR UNIT			KU36UHO
Compressor Type			Inverter Rotary
Compressor RLA	amps	16	
Fan motor output power	W	149	
Fan motor	amps	1.5	
Sound pressure level (cooling/heating)	dB(A)	55	
Unit dimension (W×H×D)	inch	37×32-1/4×20-1/8	
Refrigerant charged-R410A	lbs	9.3	
Weight	lbs	217	
REFRIGERANT PIPING			
Line set size (liquid -gas)	inch	3/8 – 3/4	
Pre-charge length	ft	31	
Additional charge	Oz/ft	0.36	
Max. pipe length	ft	98.4	
Max. pipe elevation	ft	49.2	
ELECTRICAL			
Power supply			208-230V/1Ph/60Hz
Outdoor unit	Rated current (Cooling/Heating)	amps	21/25
	MCA/MOCP	amps	24/35
LIMITED WARRANTY			10 years parts and compressor-residential



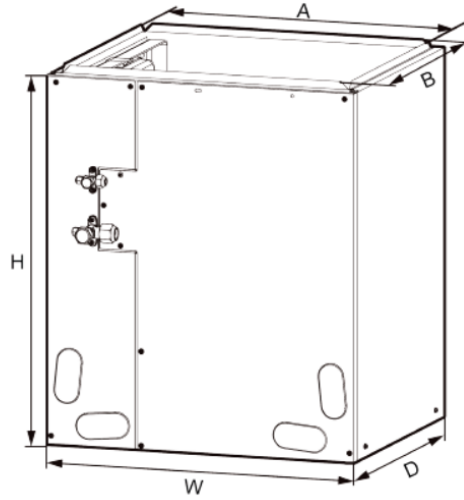
FEATURES SUMMARY

Compressor	Inverter
Ultra Low Frequency Torque Control	YES
Power Factor Correction	YES
Compressor Type	Rotary
Refrigerant Type	R410A
Outdoor Electronic Expansion Valve	YES
Basepan with Electric Heater	YES
Compressor with Electric Heater	YES
Fin Coating	Acrylic Resin
Intelligent Defrosting	YES
Intelligent Preheating	YES
Low Voltage Startup	YES
Memory/Power Failure Recovery	YES
Self Diagnosis	YES
Low Ambient Cooling	YES
24VAC Thermostat Compatible	YES

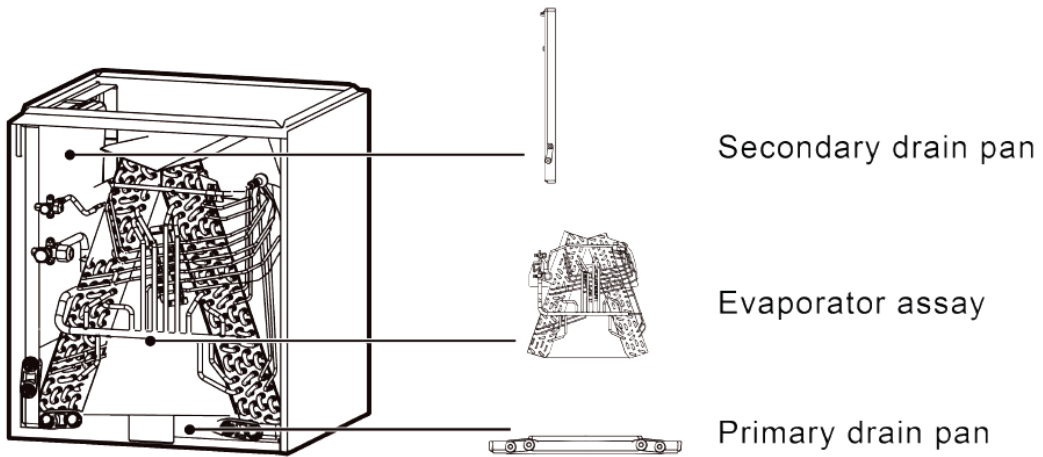
ELECTRICAL WIRING



Y – Compressor Control
 B – Reversing Valve (4-way Valve) Control – Energized in Heating when used as a heat pump
 R – 24V AC power Supply
 C – 24V Common

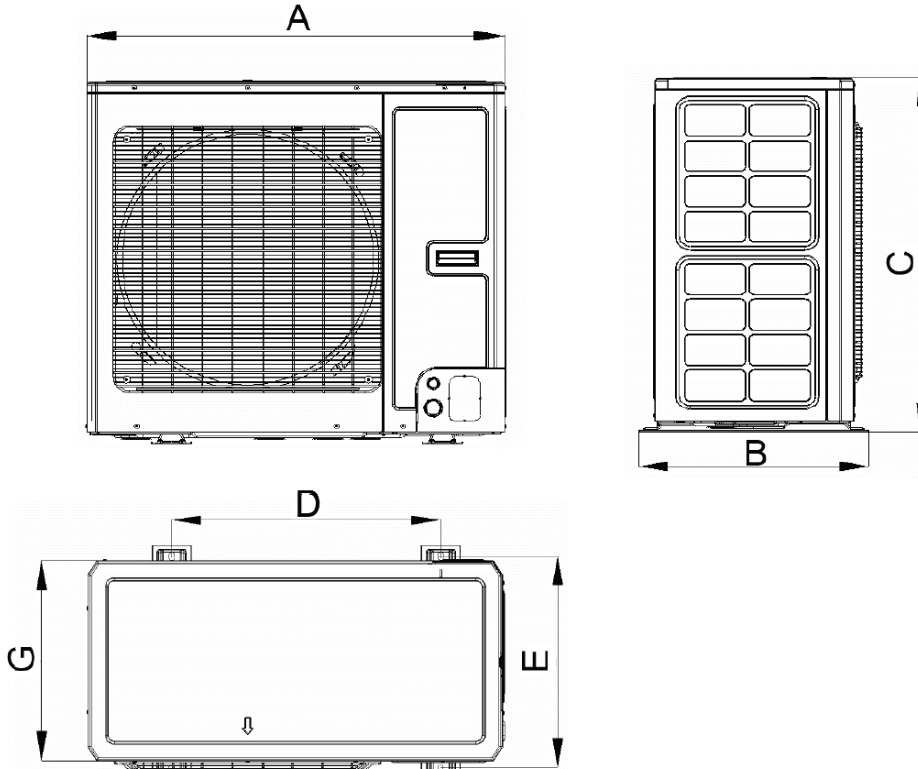


Model	Dimension					Unit: inch
	W	D	H	A	B	
KCA36* I	17-1/2	21-1/4	23	15-7/8	19-3/8	



DIMENSIONS

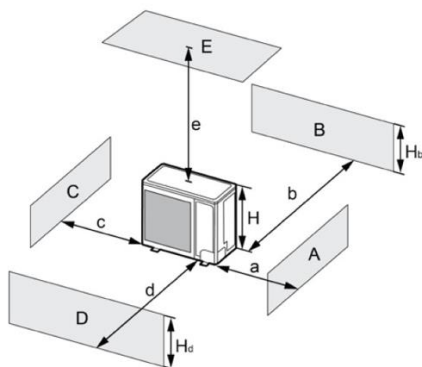
KU36UHO



Model	Dimensions					Unit: inch
	A	B	C	D	E	G
KU36UHO	37	20-1/8	32-1/4	24	19-1/8	18-1/8

Clearance Requirement

Clearance Requirement



A~E	H _b	H _d	H	(mm)				
				a	b	c	d	e
B	—	—	—	-	≥100	-	-	-
A,B,C	—	—	—	≥300	≥100	≥100	-	-
B,E	—	—	—	-	≥100	-	-	≥1000
A,B,C,E	—	—	—	≥300	≥150	≥150	-	≥1000
D	—	—	—	-	-	-	≥1000	-
D,E	—	—	—	-	-	-	≥1000	≥1000
B,D	H _b < H _d	H _d > H	-	≥100	-	≥1000	-	-
	H _b > H _d	H _d < H	-	≥100	-	≥1000	-	-
B,D,E	H _b < H _d	H _b ≤ 1/2H	-	≥250	-	≥2000	≥1000	-
		1/2H < H _b ≤ H	-	≥250	-	≥2000	≥1000	-
	H _b > H	Prohibited					-	-
	H _b > H _d	H _d ≤ 1/2H	-	≥100	-	≥2000	≥1000	-
		1/2H < H _d ≤ H	-	≥200	-	≥2000	≥1000	-
H _d > H	Prohibited					-	-	