



Submittal-42K Multizone

Job name:		Submitted by:	
Location:		Submitted to:	
Engineer:		Unit tag:	
Date:		Drawing number:	

Warranty information
 Standard 7 years parts & compressor
 Registered 12 years parts & compressor
 Terms and conditions apply

Type

Energy Star Heat Pump
 Cold Climate Energy Star Heat Pump

Model numbers

Indoor: All Ducted
 Outdoor: KM42X60

Capacity range



R32



Output (BTU/H)	Minimum	Rated	Max	Certification		
Cooling:	8870	42000	44300	AHRI NO.	Energy Star	nep
Heating:	8870	42000	54592	215708450	3,712,027.	

Heating performance				Efficiency Ratings	
Output (BTU/H)	Minimum	Rated	Max	SEER2	
47F (8.3C)	8870	42000	45200	HSPF2	10
17F (-8.3C)	9000	40000	43200	EER (W/W)	3.81
5F (-15C)	9000	36000	36000	COP (W/W)	3.9

Outdoor temperature range			Electrical	
Cooling:	-30-48C	-22-118F	Power supply	208-230V/60Hz/1Ph
Heating:	-30-24C	-22-75F	Min/Max voltage	187-253Vac

Condenser specifications			
Connecting type	Screw Connection		
Pre-charge length	164ft (50M)		
MIN. Refrigerant Pipe Length	10 ft (3M)		
MAX. Height difference (Indoor/Indoor)	82ft (25M)		
MAX. Height difference (Indoor/Outdoor)	82ft (25M)		
MAX. Length per Individual Indoor	82ft (25M)		
MAX. Refrigerant Pipe Length (Total)	328ft (100M)		

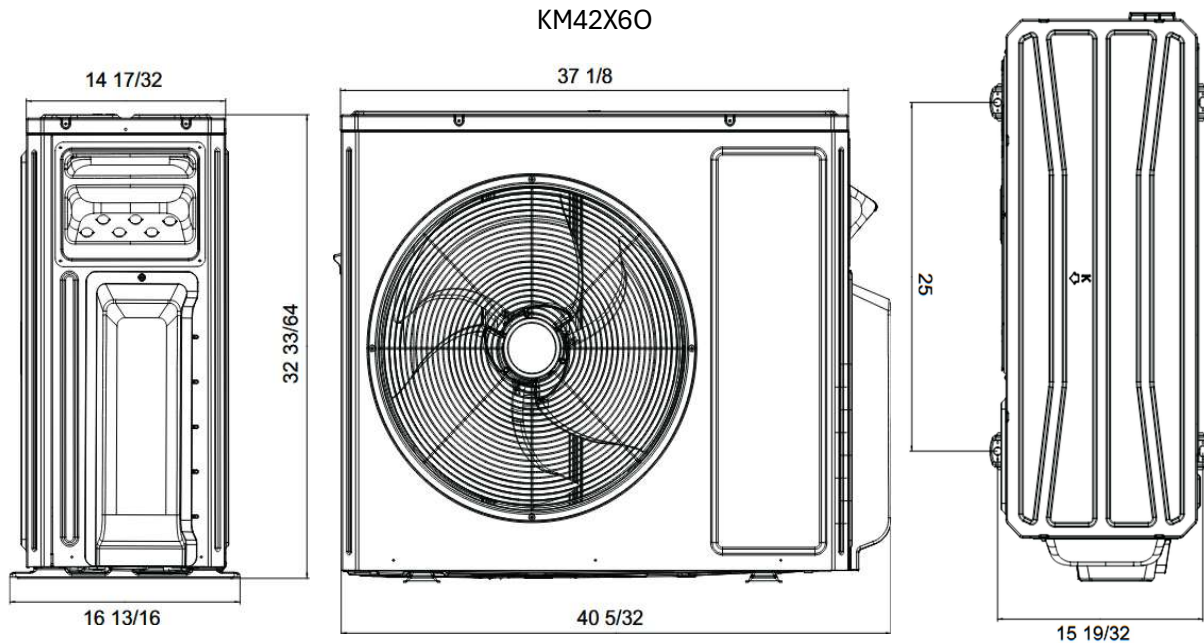
		Features:	
		Electronic expansion valve	
		Rotary compressor	
		Basepan heater	
		Compressor electric heater	

		Weight	
Refrigerant Type	R-32	Gross weight:	189Lbs (86Kg)
Factory Charge	95oz	Net weight:	174Lbs (79Kg)
Additional Charge	0.2 oz/ft		
Sound Pressure Level	63dB (A)		

Specifications are subject to change without notice. Manufacturer reserves the right to discontinue or modify specifications or designs without notice or without incurring obligations. All Rights reserved.



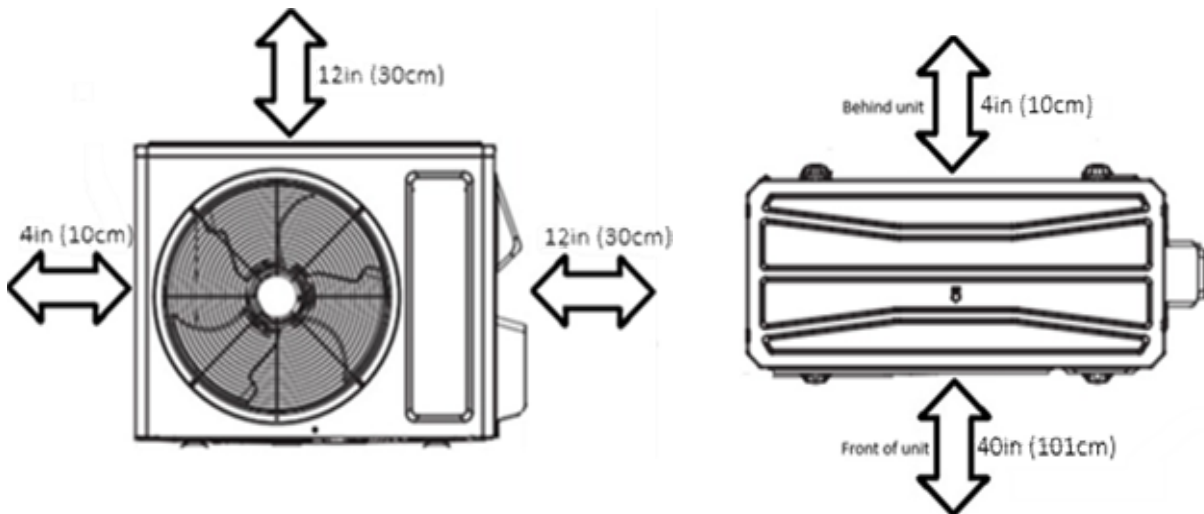
Outdoor Unit Dimensions



Connection sizes

	Port 1	Port 2	Port 3	Port 4	Port 5
Liquid pipe	1/4in (6mm)	1/4in (6mm)	1/4in (6mm)	1/4in (6mm)	1/4in (6mm)
Gas pipe	3/8in (9.52mm)	3/8in (9.52mm)	3/8in (9.52mm)	3/8in (9.52mm)	3/8in (9.52mm)

Minimum outdoor unit clearances



Unit must be placed a minimum 18in (45cm) above any surfaces to allow for snow clearance and defrost runoff.
Please follow local best practices and guidelines.

Specifications are subject to change without notice. Manufacturer reserves the right to discontinue or modify specifications or designs without notice or without incurring obligations. All Rights reserved.