



# Submittal-24K Multizone

Job name:		Submitted by:	
Location:		Submitted to:	
Engineer:		Unit tag:	
Date:		Drawing number:	

### Warranty information

Standard 7 years parts & compressor  
 Registered 12 years parts & compressor  
 Terms and conditions apply

### Type

Energy Star Heat Pump

Cold Climate Energy Star Heat Pump

### Model numbers

Indoor: All Ducted

Outdoor: KM24X60

### Capacity range

Output (BTU/H)	Minimum	Rated	Max	Certification		
Cooling:	2200	24000	9200	AHRI NO.	Energy Star	nep
Heating:	7500	24000	31400	215708447	3,712,024.	

### Heating performance

Output (BTU/H)	Minimum	Rated	Max	Efficiency Ratings	
47F (8.3C)	7500	24000	28800	SEER2	21
17F (-8.3C)	8200	22000	26600	HSPF2	10
5F (-15C)	8200	21600	21600	EER (W/W)	3.8
				COP (W/W)	3.9

### Outdoor temperature range

Outdoor temperature range			Electrical	
Cooling:	-30-48C	-22-118F	Power supply	208-230V/60Hz/1Ph
Heating:	-30-24C	-22-75F	Min/Max voltage	187-253Vac

### Condenser specifications

Connecting type	Screw Connection	MCA	19.5A
Pre-charge length	98ft (30M)	MOP	25A
MIN. Refrigerant Pipe Length	10 ft (3M)	Power Supply Wire	3/12 AWG
MAX. Height difference (Indoor/Indoor)	49ft (15M)	Interconnecting Wire	4/14 AWG

Condenser specifications		Features:	
MAX. Height difference (Indoor/Outdoor)	49 ft (15M)	Electronic expansion valve	
MAX. Length per Individual Indoor	66ft (20M)	Rotary compressor	
MAX. Refrigerant Pipe Length (Total)	197ft (60M)	Basepan heater	
Refrigerant Type	R-32	Compressor electric heater	

Condenser specifications		Weight	
Factory Charge	60oz	Gross weight:	122.4Lbs (55.5Kg)
Additional Charge	0.2 oz/ft	Net weight:	112.5Lbs (51Kg)
Sound Pressure Level	58dB (A)		



R32

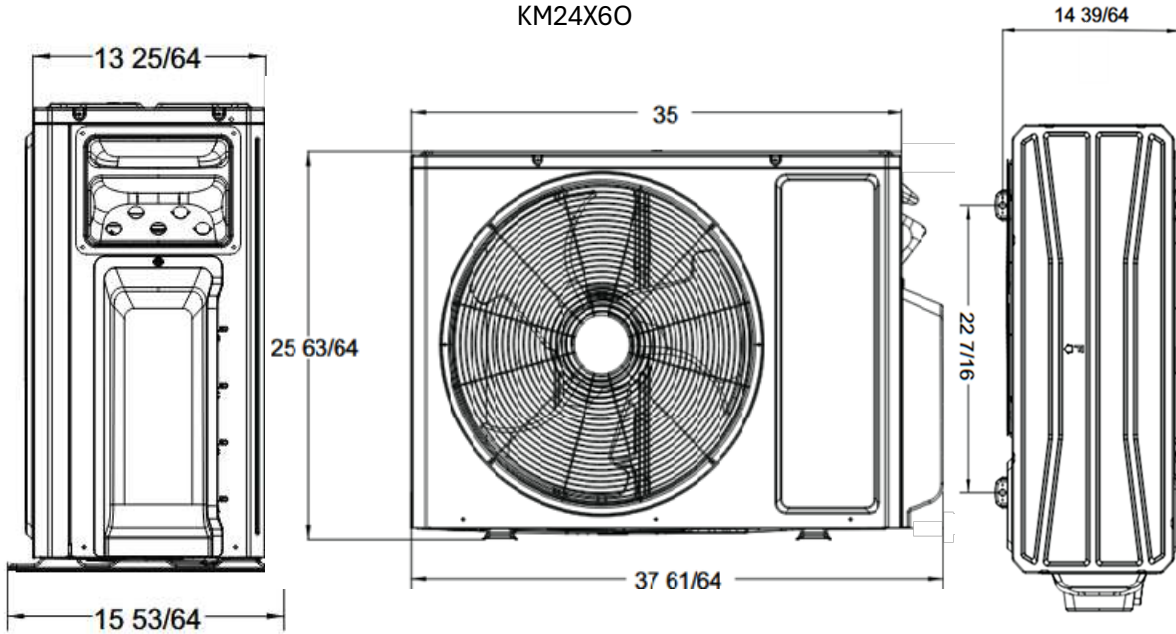


Specifications are subject to change without notice. Manufacturer reserves the right to discontinue or modify specifications or designs without notice or without incurring obligations. All Rights reserved.



# Outdoor Unit Dimensions

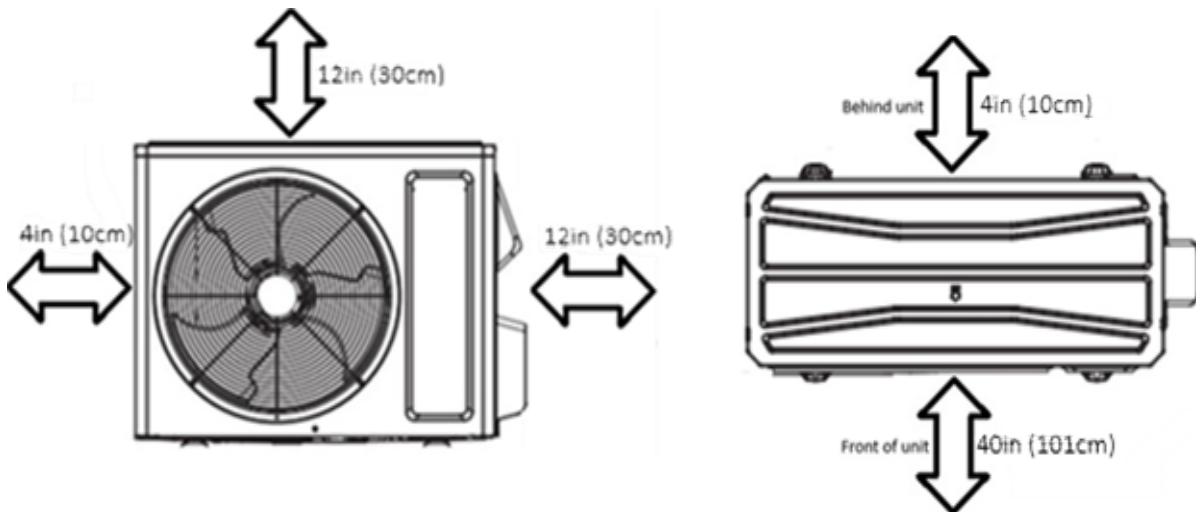
KM24X60



**Connection sizes**

	Port 1	Port 2	Port 3	Port 4	Port 5
Liquid pipe	1/4in (6mm)	1/4in (6mm)	1/4in (6mm)	N/A	N/A
Gas pipe	3/8in (9.52mm)	3/8in (9.52mm)	3/8in (9.52mm)	N/A	N/A

**Minimum outdoor unit clearances**



Unit must be placed a minimum 18in (45cm) above any surfaces to allow for snow clearance and defrost runoff.  
Please follow local best practices and guidelines.

Specifications are subject to change without notice. Manufacturer reserves the right to discontinue or modify specifications or designs without notice or without incurring obligations. All Rights reserved.